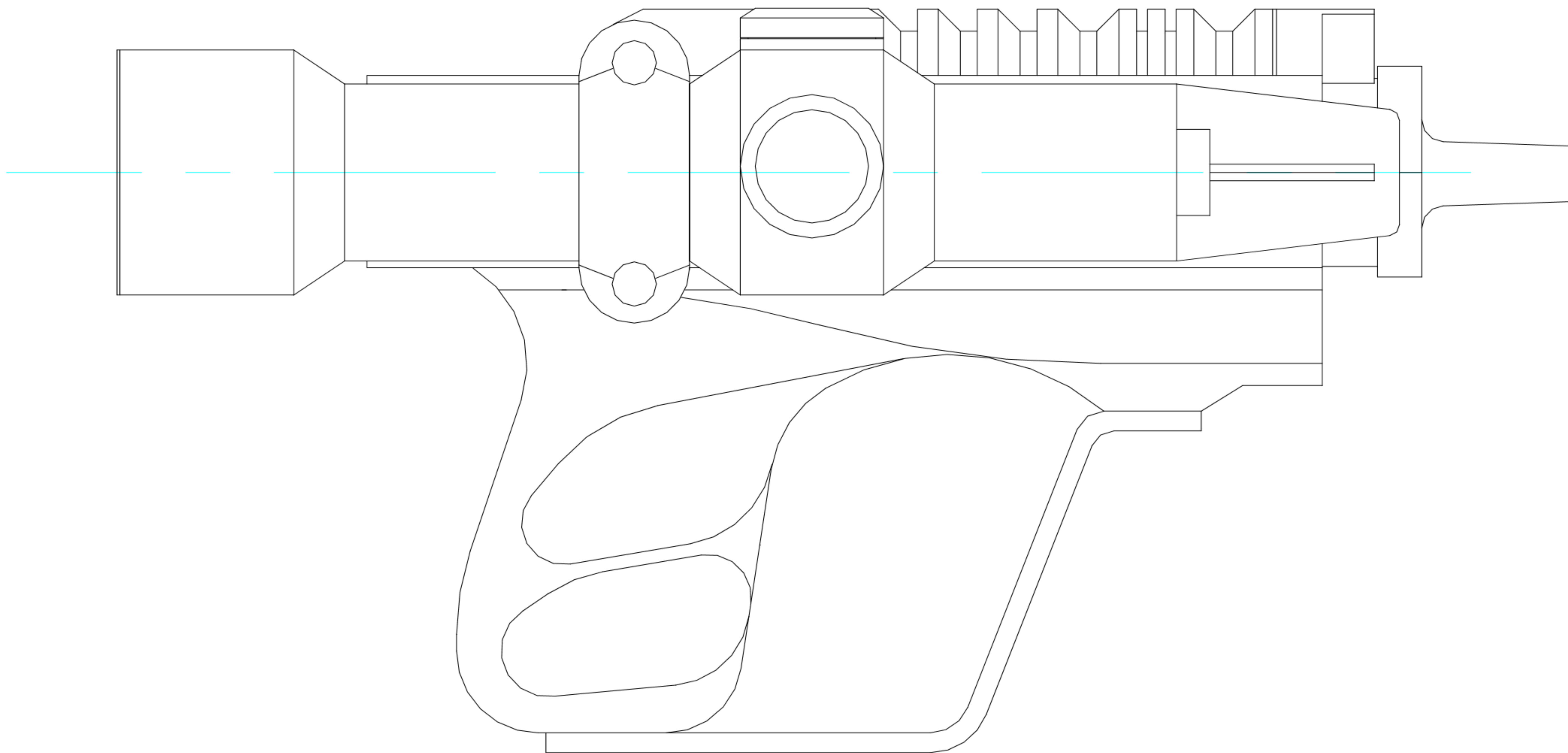


LEFT SIDE

BIKER SCOUT BLASTER
REV. A - 1/18/06

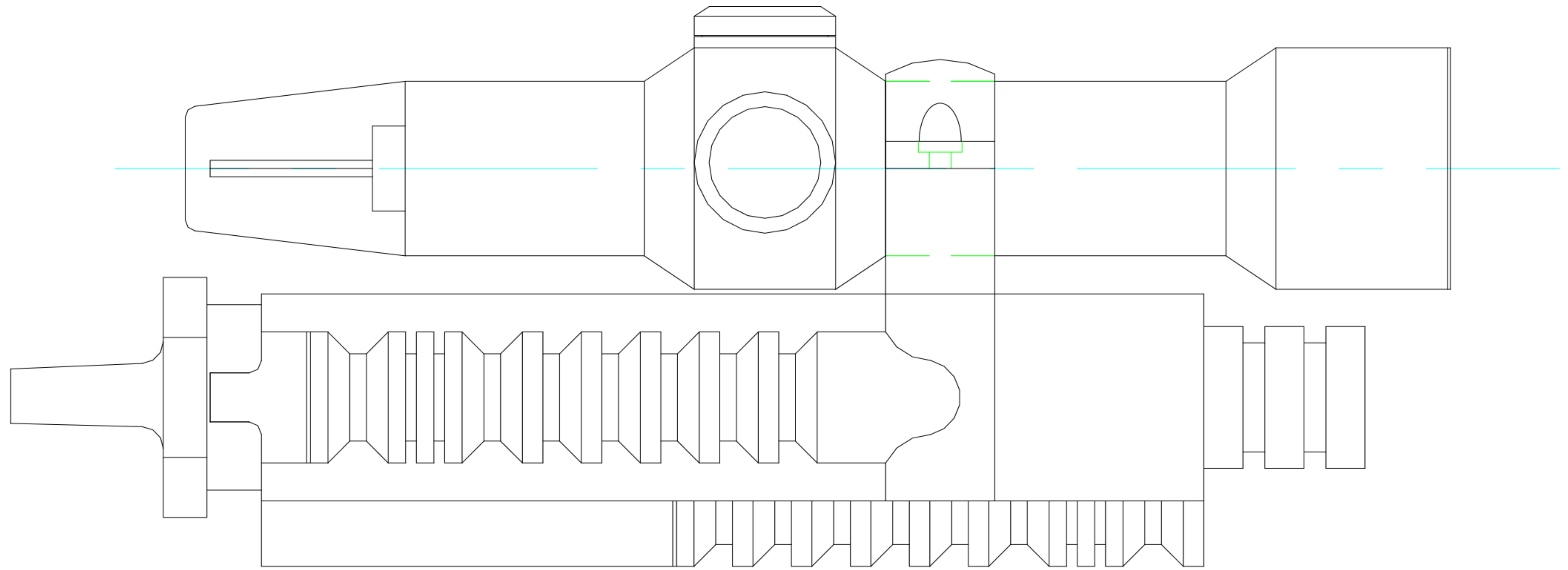
© 2005 Alan Sinclair
UNITS - Inches [MM]



RIGHT SIDE

BIKER SCOUT BLASTER
REV. A - 1/18/06

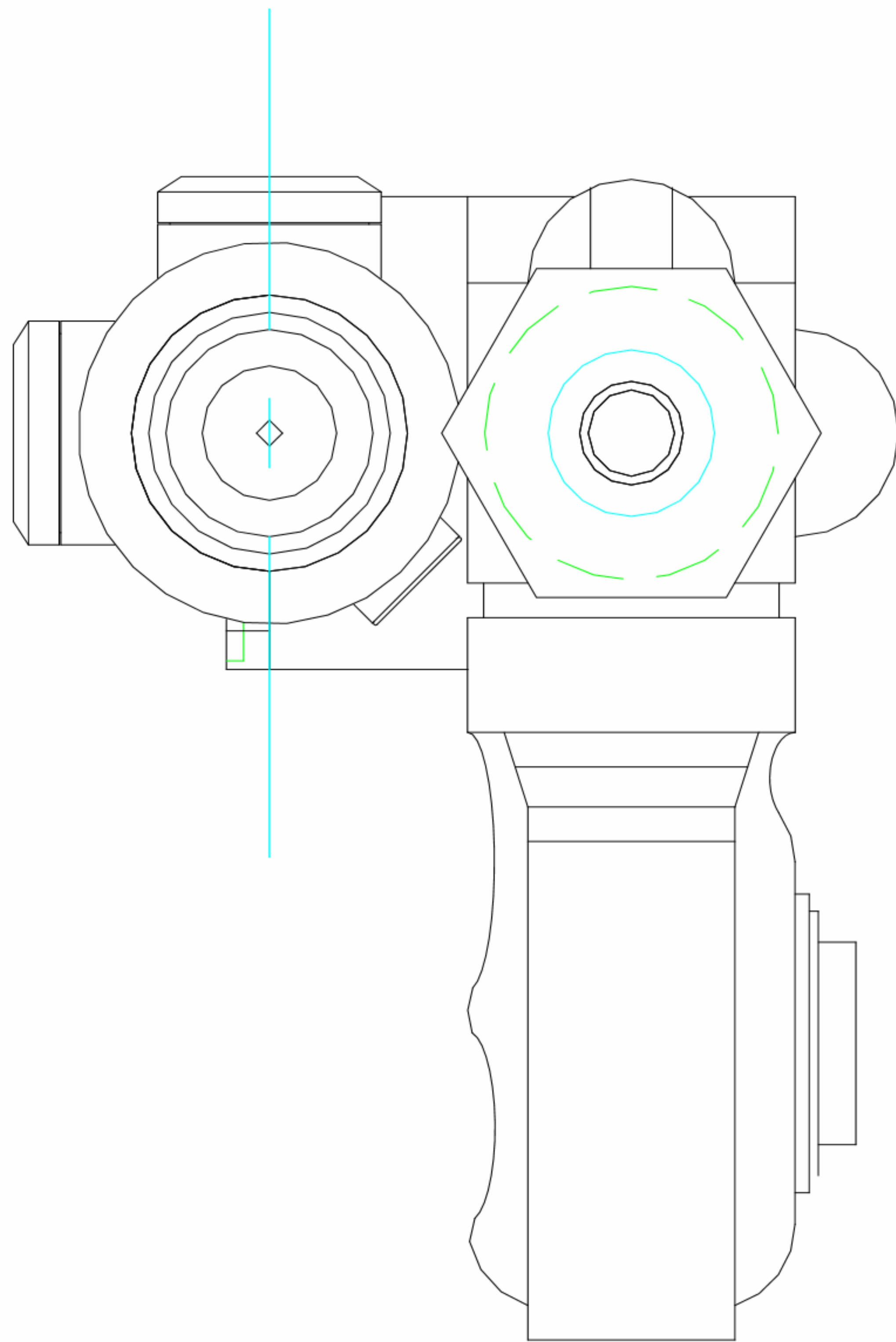
© 2005 Alan Sinclair
UNITS - Inches[MM]



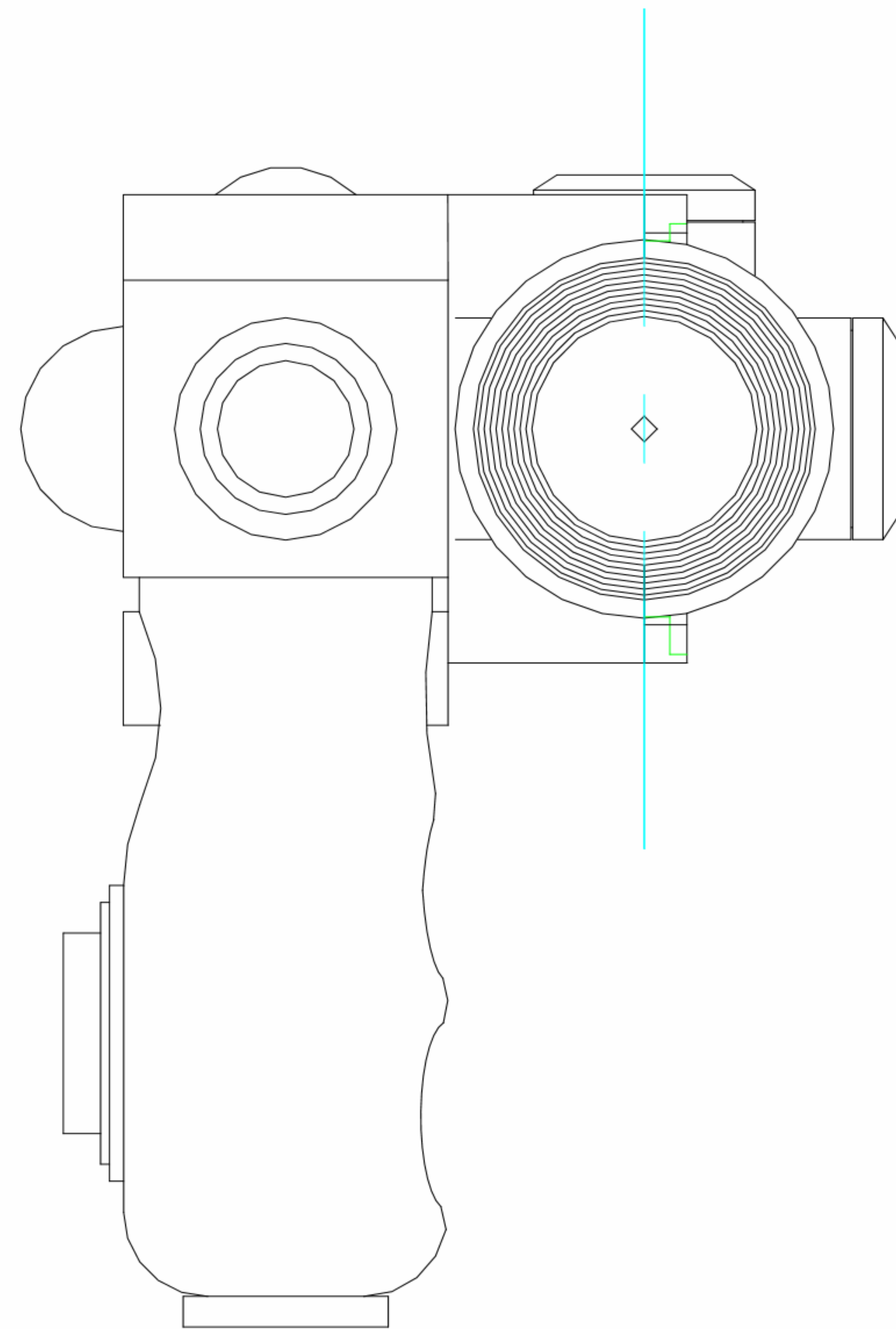
TOP VIEW

BIKER SCOUT BLASTER
REV. A - 1/18/06

© 2005 Alan Sinclair
UNITS - Inches[MM]



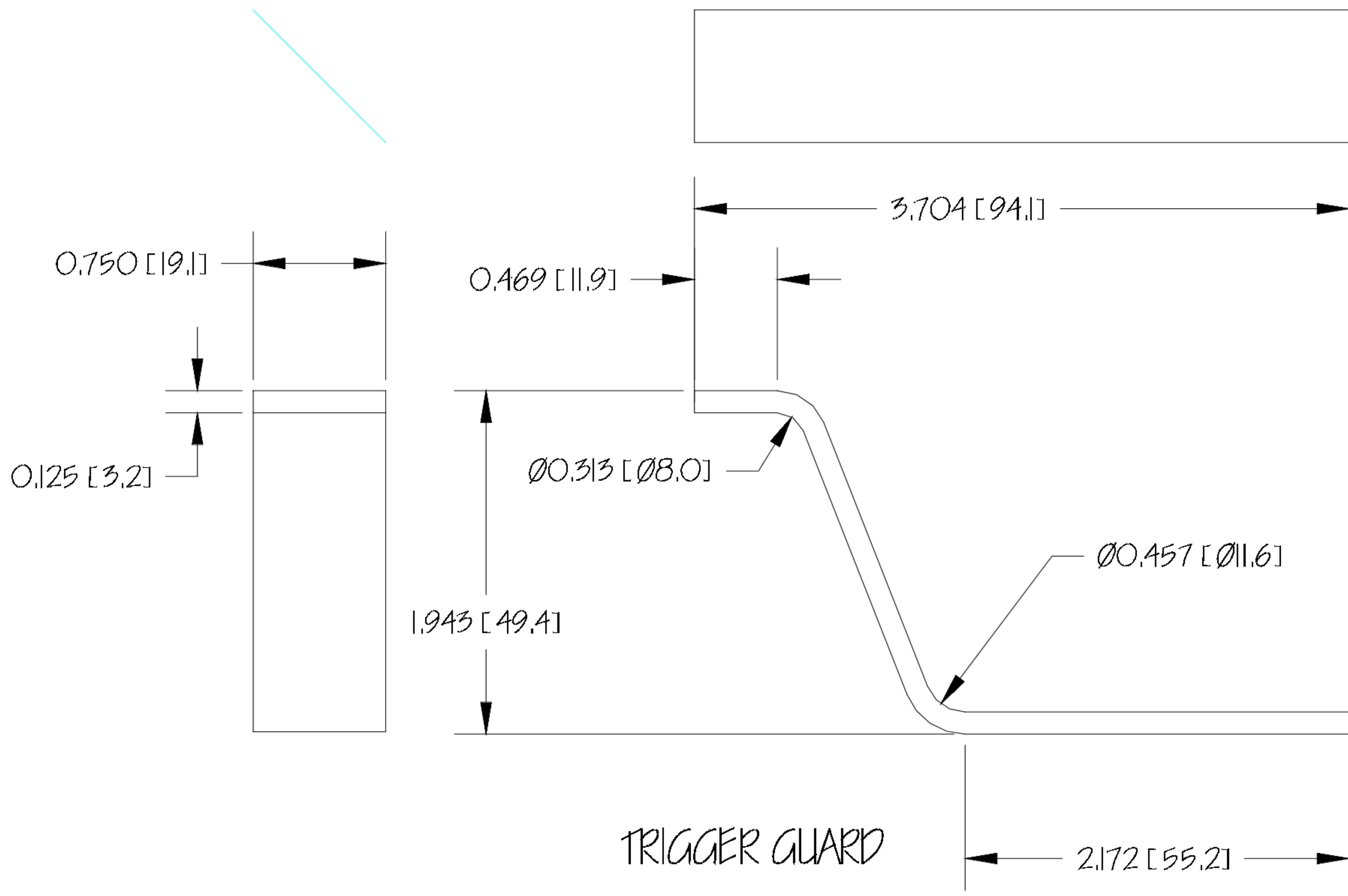
FRONT VIEW



AFT VIEW

BIKER SCOUT BLASTER
REV. A - 1/18/06

© 2005 Alan Sinclair
UNITS - Inches[MM]



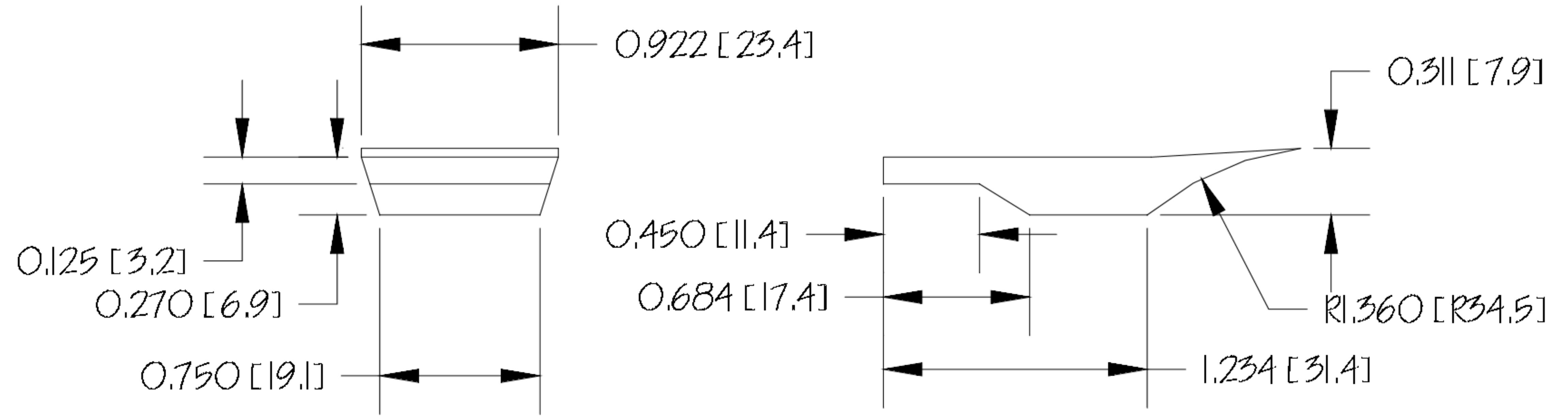
BIKER SCOUT BLASTER
 REV. A - 1/18/06

© 2005 Alan Sinclair
 UNITS - Inches [MM]

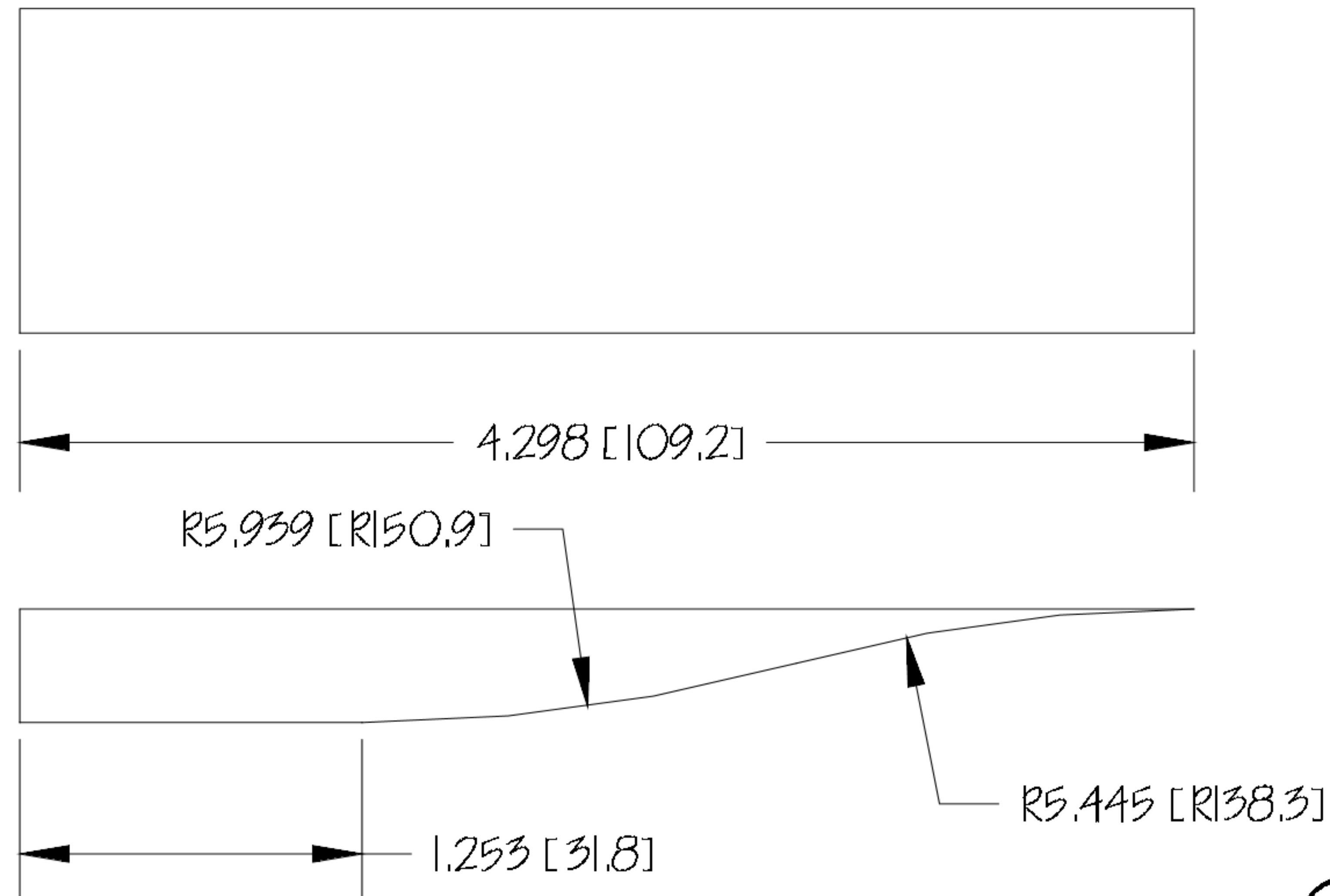
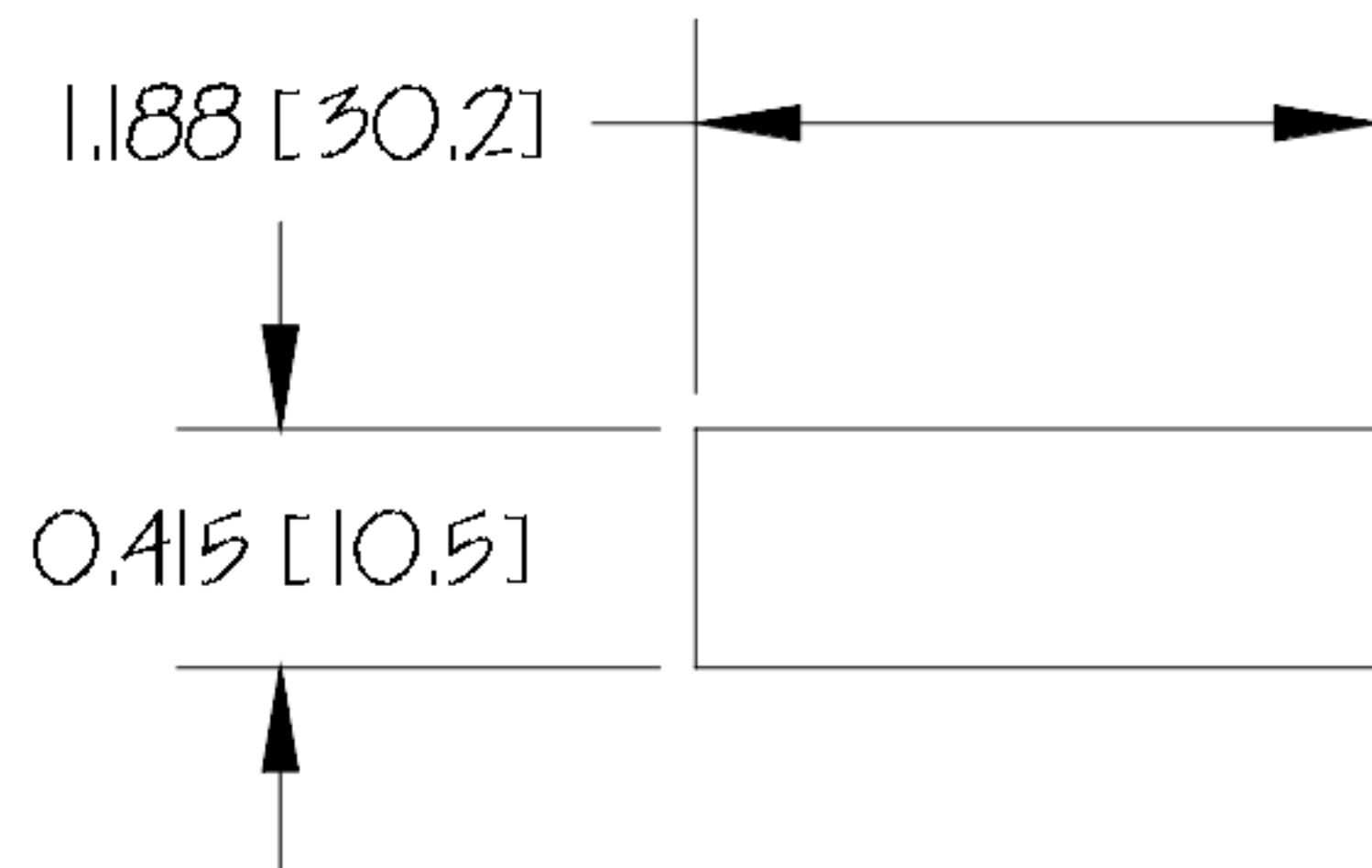
BIKER SCOUT BLASTER

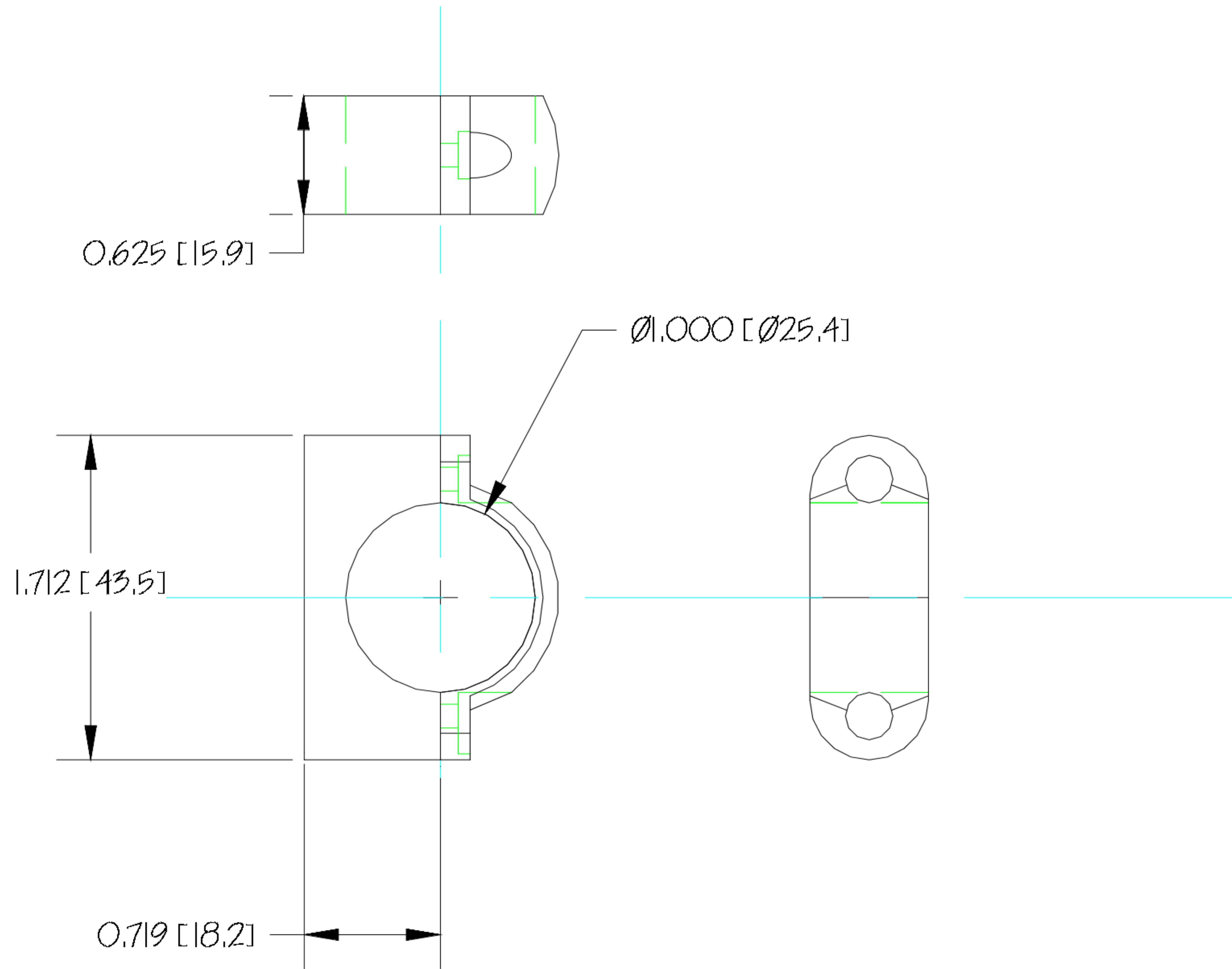
REV. A - 1/18/06

UNITS - Inches [MM]



FRAME PARTS





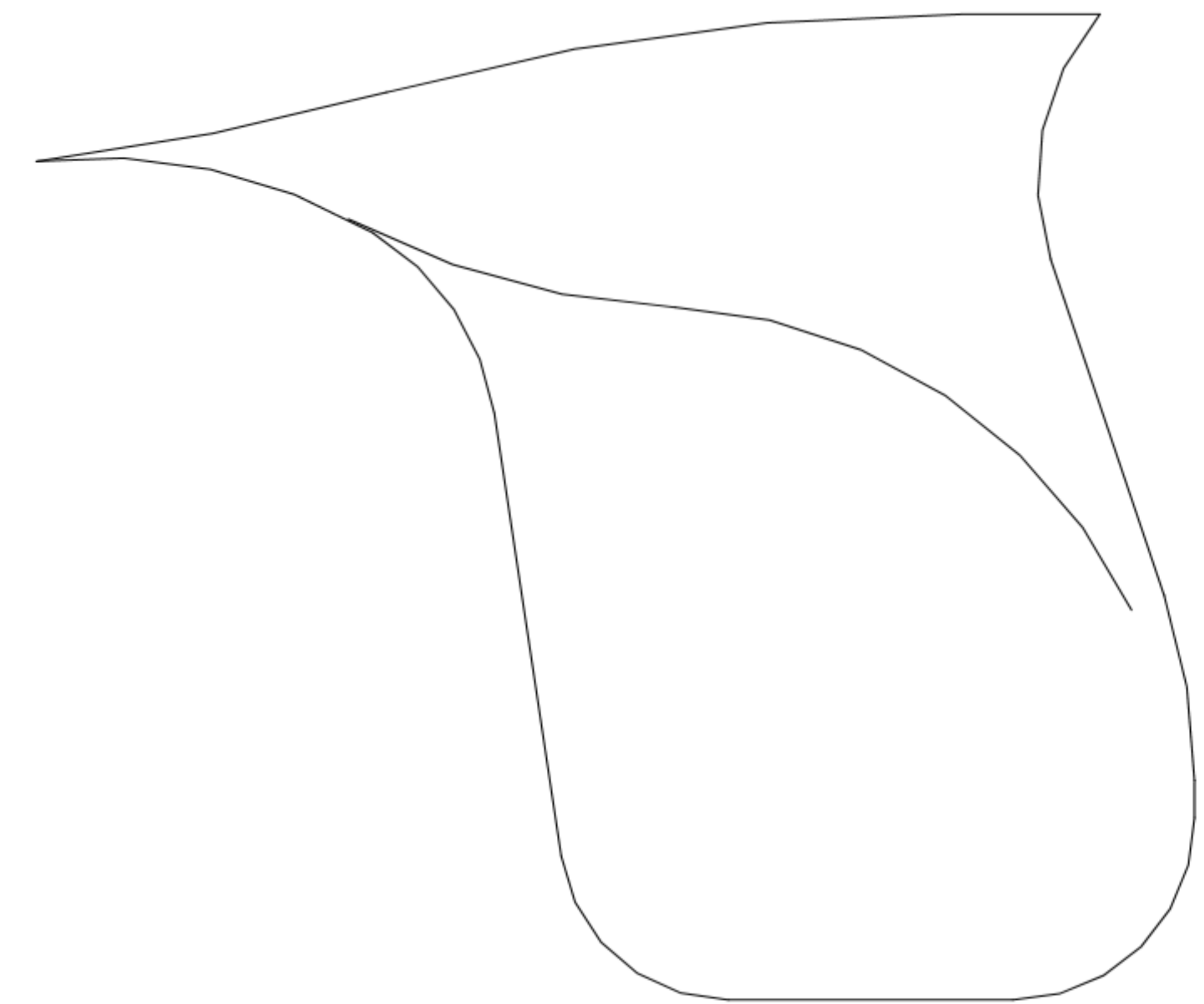
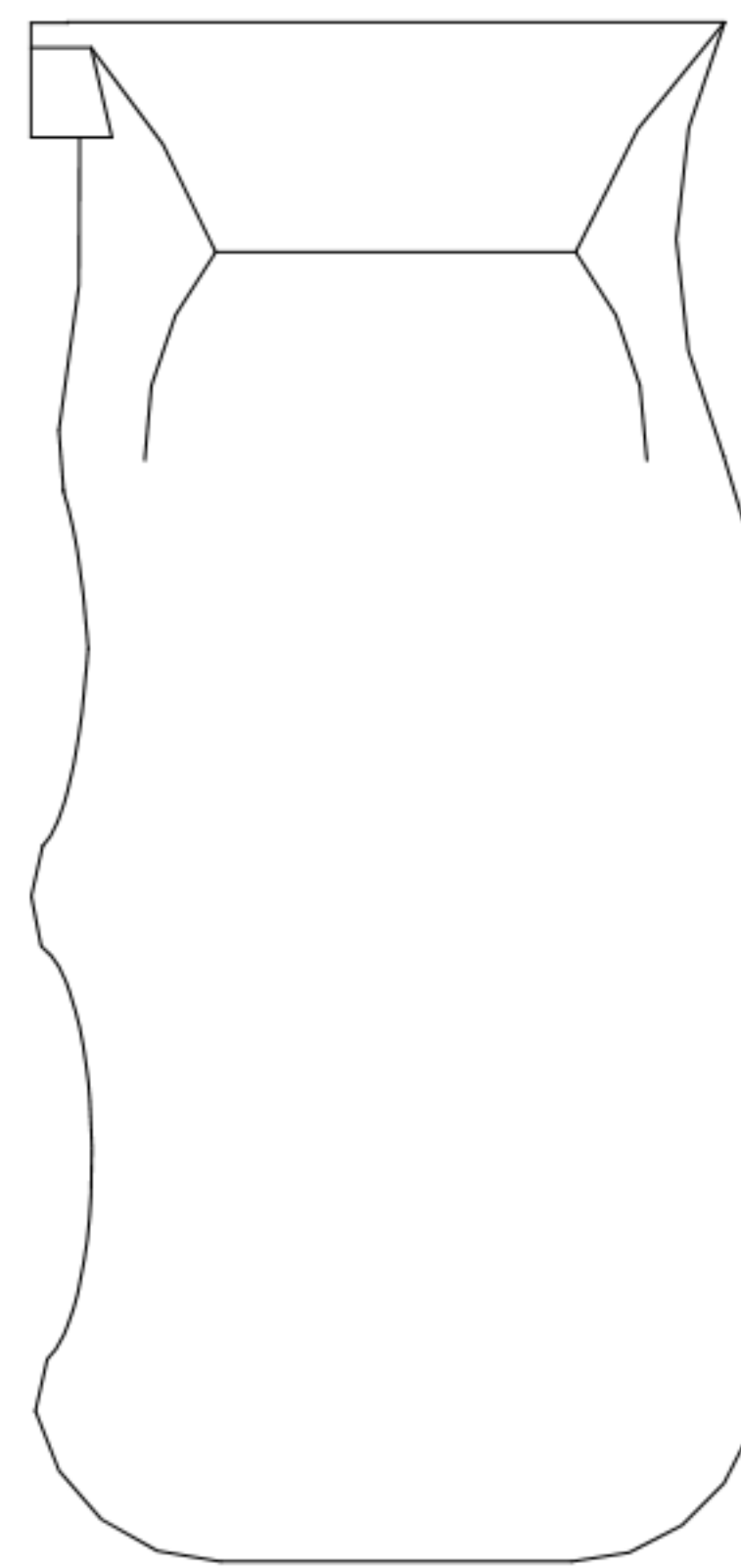
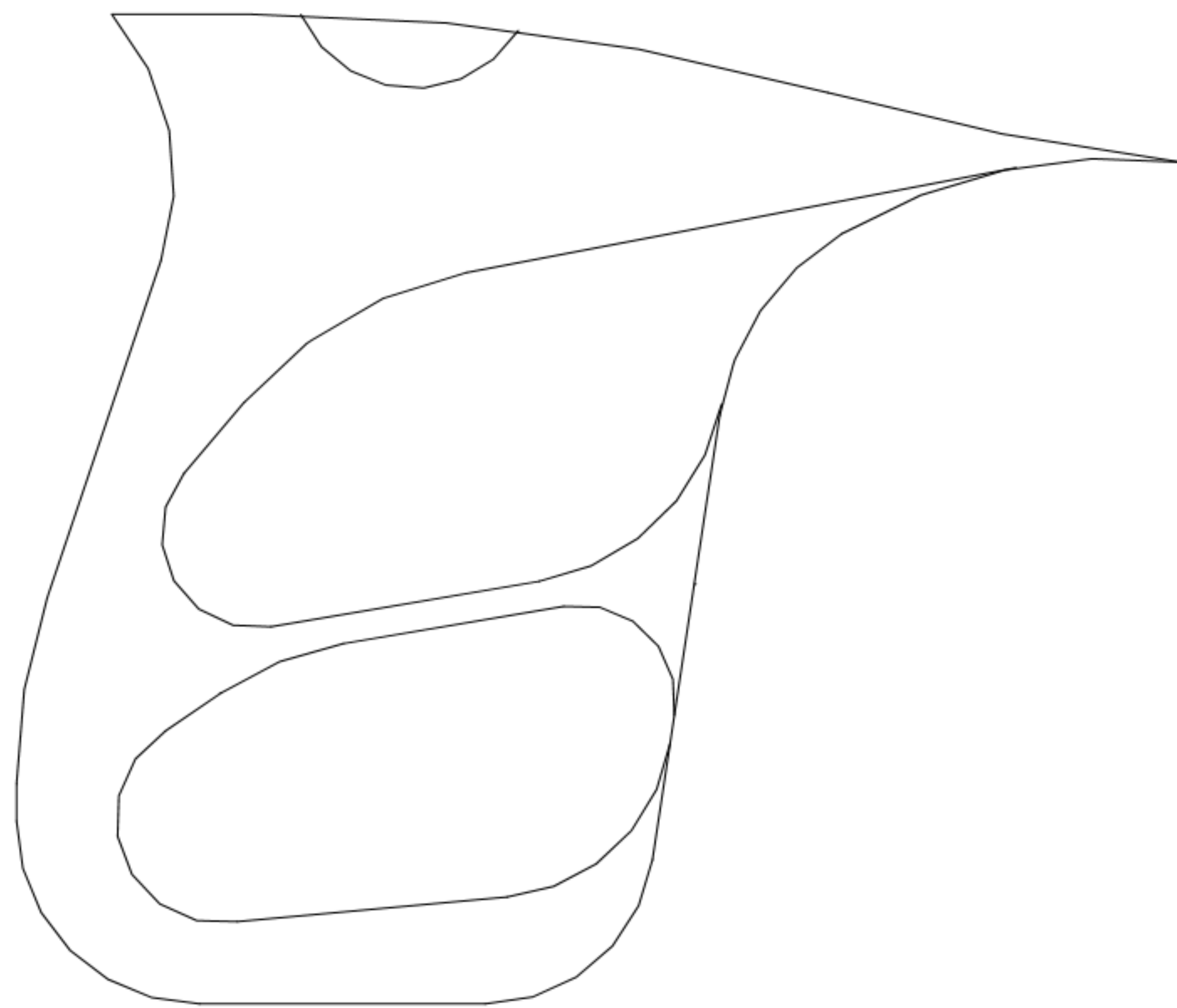
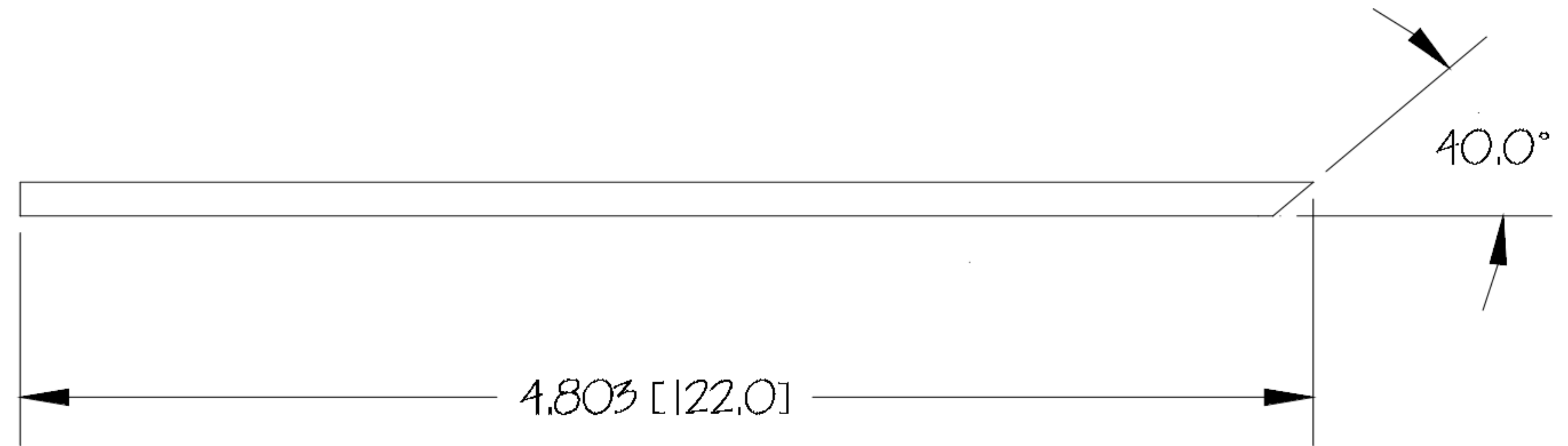
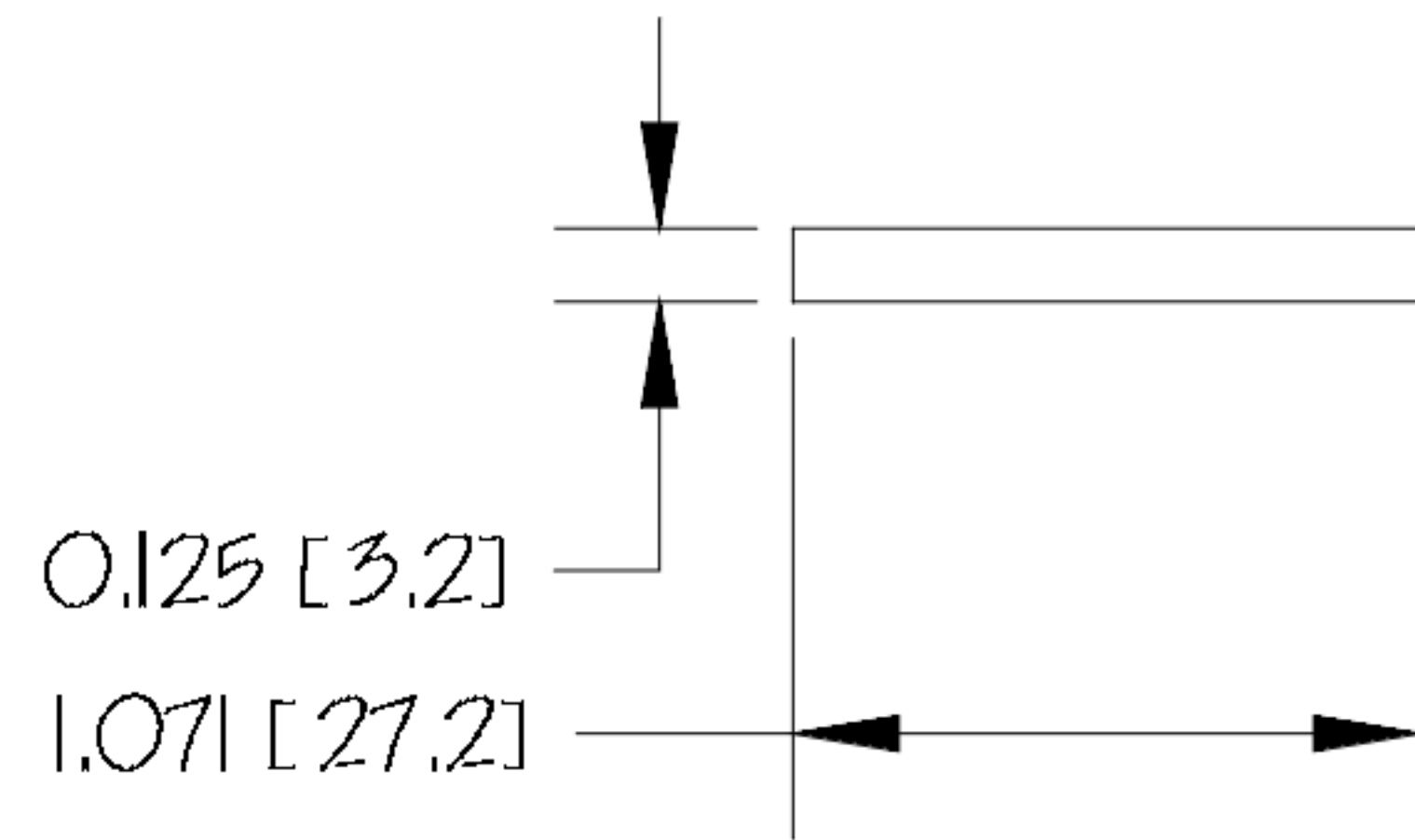
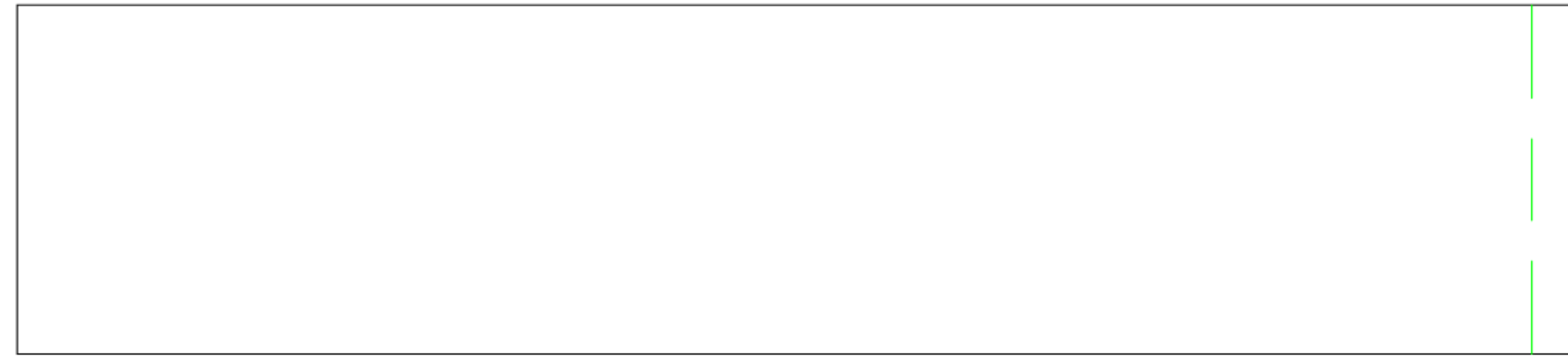
SCOPE MOUNT

BIKER SCOUT BLASTER

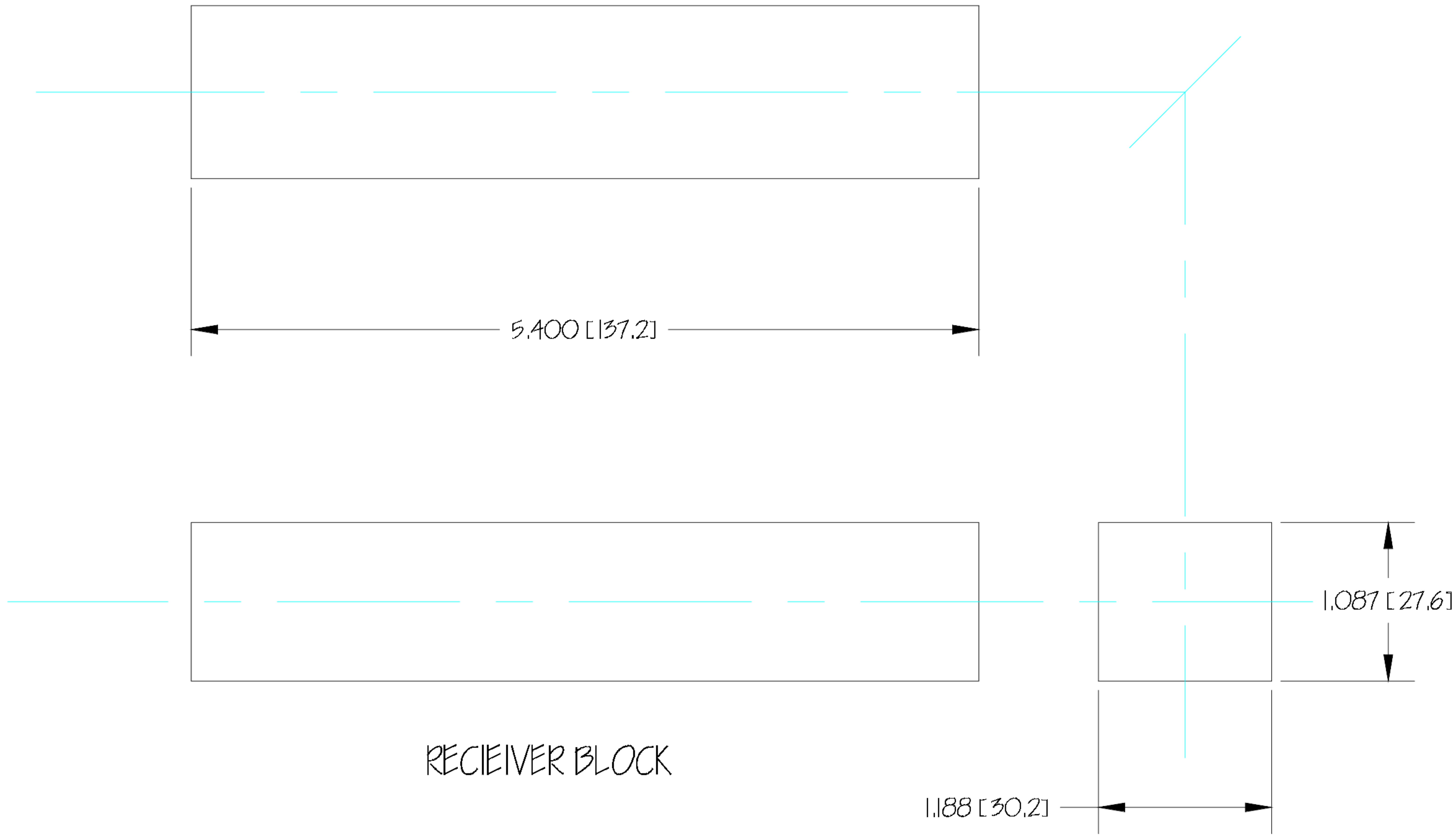
© 2005 Alan Sinclair

REV. A - 1/18/06

UNITS - Inches [MM]

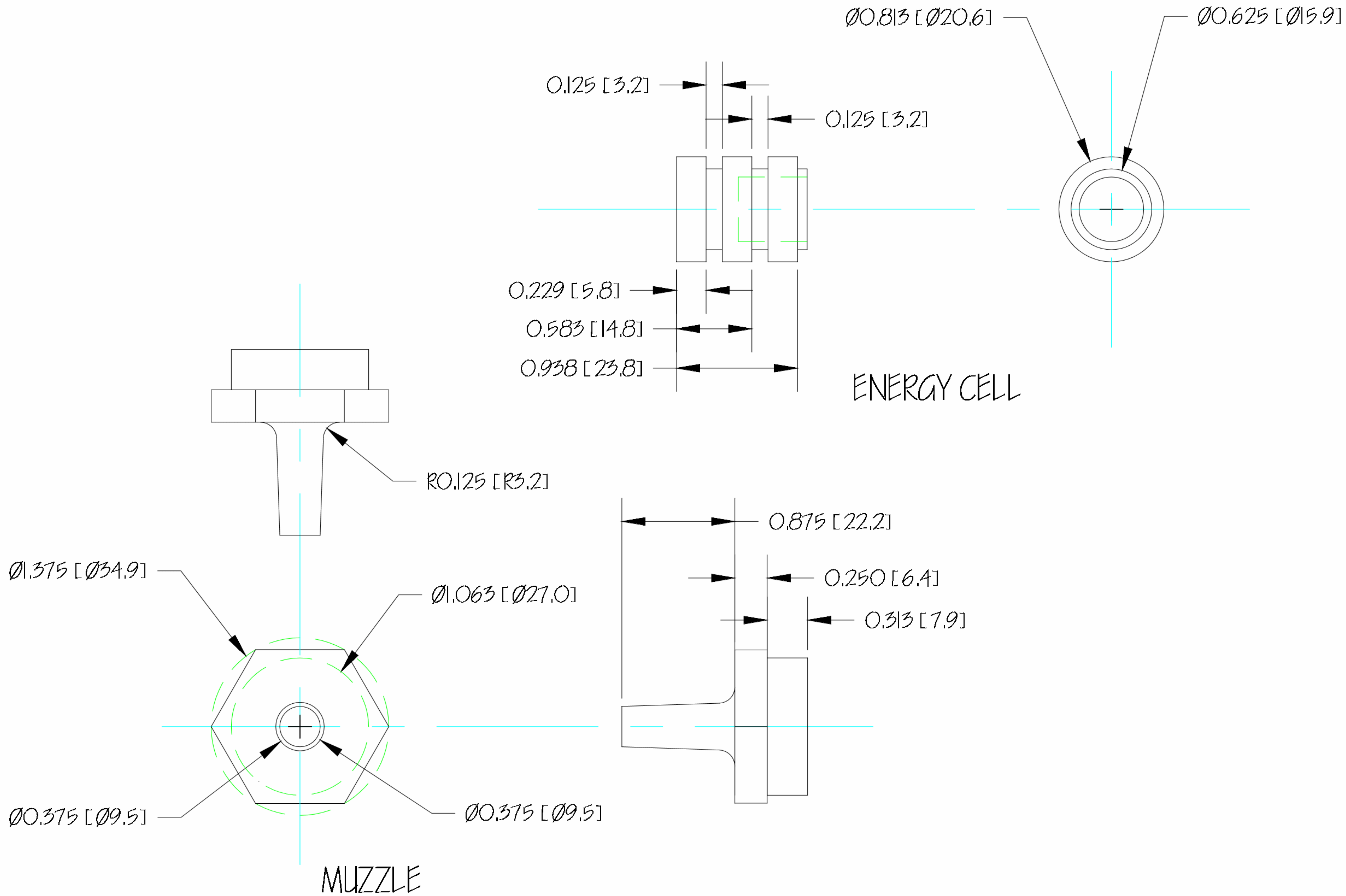


PISTOL GRIP



BIKER SCOUT BLASTER
REV. A - 1/18/06

© 2005 Alan Sinclair
UNITS - Inches [MM]



BIKER SCOUT BLASTER
REV. A - 1/18/06

© 2005 Alan Sinclair
UNITS - Inches [MM]